

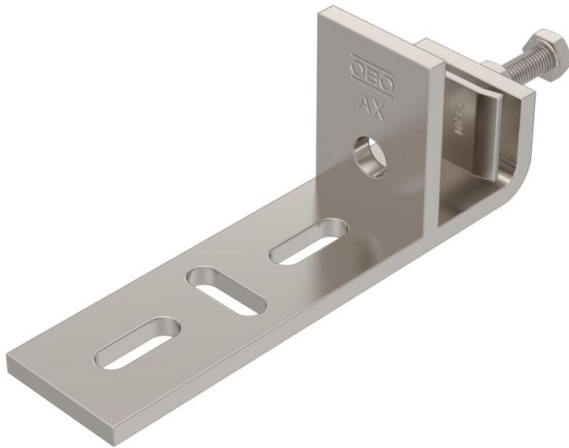
# Technical data sheet

## Beam clamp, vertical, A2

Item number: 6003950



Beam clamp for mounting light components on vertical steel beams. Suitable, for example, for mesh cable trays and cable trays to 300 mm width or clips. The direction of the cable support system attached to the beam clamp is vertical.



**A2** Stainless steel

**2B** Bright, treated

### Master data

Item number	6003950
Type	BFK S 100 A2
Description 1	Clamping piece
Description 2	for vertical application
Available from	01.03.2026
Manufacturer	OBO
Dimension	154x58x40
Colour	stainless steel
Material	Stainless steel 1.4301
Surface	Bright, treated
Surface standard	
Smallest sales unit	10
Unit of quantity	Piece
Weight	45.139 kg
Weight unit	kg/100 pc.

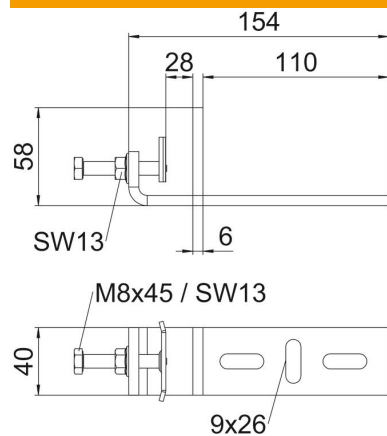
# Technical data sheet

## Beam clamp, vertical, A2

Item number: 6003950



### Dimensions



Length	148 mm
Width	110 mm
Height	58 mm

### Technical data

Material thickness	6 mm
Rustproof steel, pickled	yes
Permitted temperature range, max.	120 °C
Permitted temperature range, min.	-20 °C