

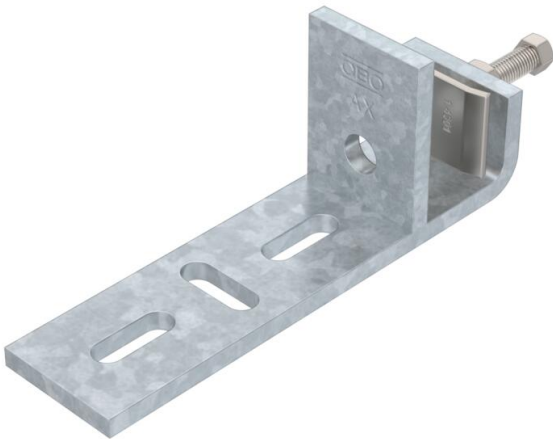
Technical data sheet

Beam clamp, vertical BFK S 100 FT

Item number: 6003902



Beam clamp for mounting light components on vertical steel beams. Suitable, for example, for mesh cable trays and cable trays to 300 mm width or clips. The direction of the cable support system attached to the beam clamp is vertical.



- St** Steel
- FT** Hot-dip galvanised

Master data

Item number	6003902
Type	BFK S 100 FT
Description 1	Clamping piece
Description 2	for vertical application
Available from	01.03.2026
Manufacturer	OBO
Dimension	154x58x40
Colour	zinc
Material	Steel
Surface	Hot-dip galvanised
Surface standard	DIN EN ISO 1461
Smallest sales unit	10
Unit of quantity	Piece
Weight	45.61 kg
Weight unit	kg/100 pc.

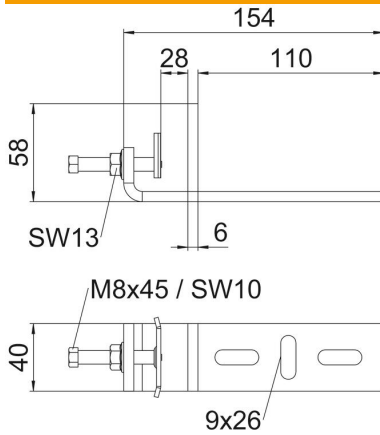
Technical data sheet

Beam clamp, vertical BFK S 100 FT

Item number: 6003902



Dimensions



Length	148 mm
Width	110 mm
Height	58 mm

Technical data

Material thickness	6 mm
Rustproof steel, pickled	no
Permitted temperature range, max.	120 °C
Permitted temperature range, min.	-20 °C