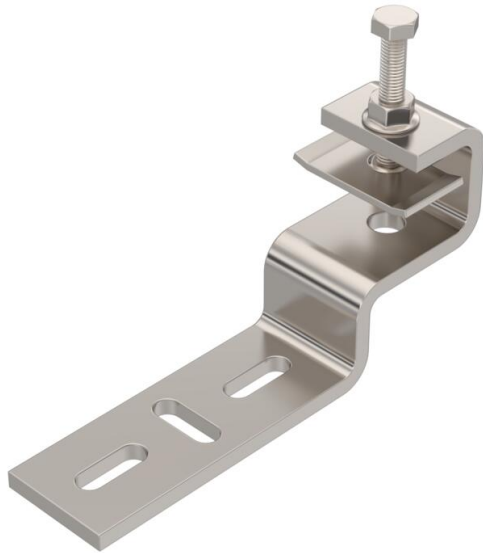


# Technical data sheet

## Beam clamp, steel beam outer side A2

Item number: 6003970



Beam clamp for mounting light components on the outer side of vertical or horizontal steel beams. Suitable, for example, for mesh cable trays and cable trays to 200 mm width or clips. The cable tray system attached to the beam clamp can be routed both horizontally and vertically.



**A2** Stainless steel

**2B** Bright, treated

### Master data

Item number	6003970
Type	BFK V 100 A2
Description 1	Clamping piece
Description 2	for exterior of steel girder
Available from	01.03.2026
Manufacturer	OBO
Dimension	153x74x40
Colour	stainless steel
Material	Stainless steel 1.4301
Surface	Bright, treated
Surface standard	
Smallest sales unit	10
Unit of quantity	Piece
Weight	48.11 kg
Weight unit	kg/100 pc.
CO2 Footprint (GWP) Cradle-to-Gate	2,8412 kg CO2e / 1 Piece

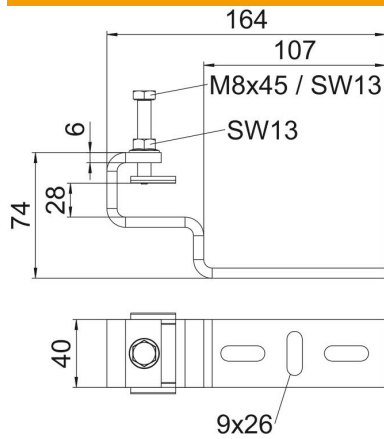
# Technical data sheet

## Beam clamp, steel beam outer side A2

Item number: 6003970



### Dimensions



Length	158 mm
Width	107 mm
Height	62 mm

### Technical data

Material thickness	6 mm
Rustproof steel, pickled	yes
Permitted temperature range, max.	120 °C
Permitted temperature range, min.	-20 °C