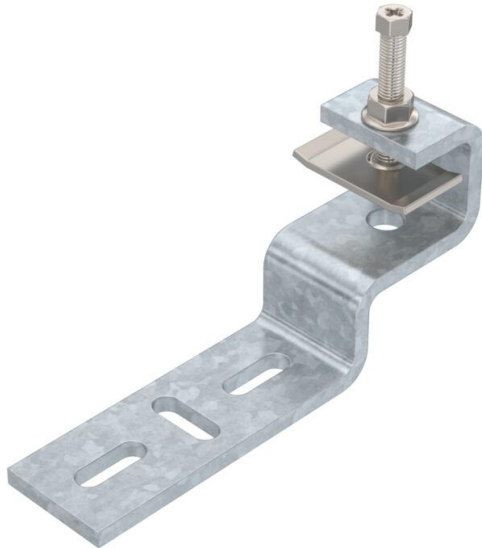


# Technical data sheet

## Beam clamp, steel beam outer side FT

Item number: 6003930



Beam clamp for mounting light components on the outer side of vertical or horizontal steel beams. Suitable, for example, for mesh cable trays and cable trays to 200 mm width or clips. The cable tray system attached to the beam clamp can be routed both horizontally and vertically.



**St** Steel

**FT** Hot-dip galvanised

### Master data

Item number	6003930
Type	BFK V 100 FT
Description 1	Clamping piece
Description 2	for exterior of steel girder
Available from	01.03.2026
Manufacturer	OBO
Dimension	153x74x40
Colour	zinc
Material	Steel
Surface	Hot-dip galvanised
Surface standard	DIN EN ISO 1461
Smallest sales unit	10
Unit of quantity	Piece
Weight	49.9 kg
Weight unit	kg/100 pc.

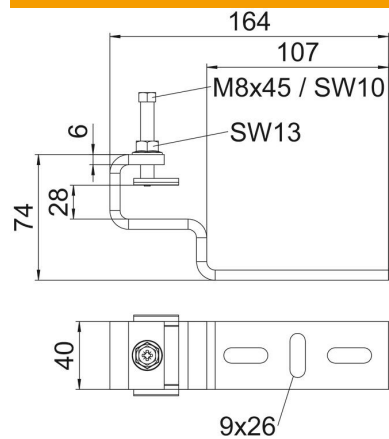
# Technical data sheet

## Beam clamp, steel beam outer side FT

Item number: 6003930



### Dimensions



Length	158 mm
Width	107 mm
Height	62 mm

### Technical data

Material thickness	6 mm
Rustproof steel, pickled	no
Permitted temperature range, max.	120 °C
Permitted temperature range, min.	-20 °C