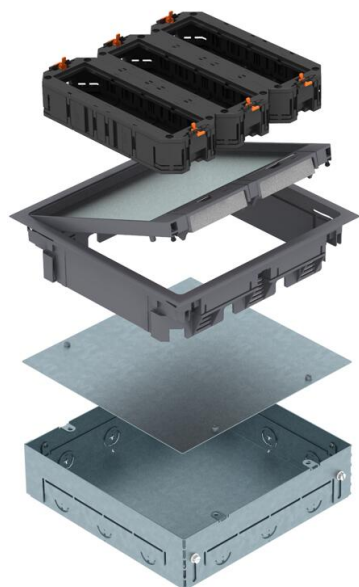


# Technical data sheet

## Underfloor box with GES9

Item number: 7427479



Square screed box with device insert GES9 for use in screed floors indoors. With pre-marked insertion openings for pipelines (M25) on all four sides. When delivered, the installation housing is closed with a mounting protection cover. Three universal supports UT4 are included in the delivery. The minimum installation depth is 80 mm.



PA Polyamide

### Master data

Item number	7427479
Type	GES9 BOX 7011 UT
Description 1	Service outlet-Set
Description 2	with mounting boxes
Manufacturer	OBO
Dimension	264x264x135
Colour	Iron grey; RAL 7011
Material	Polyamide
Smallest sales unit	1
Unit of quantity	Piece
Weight	420 kg
Weight unit	kg/100 pc.
CO2 Footprint (GWP) Cradle-to-Gate	14,2309 kg CO2e / 1 Piece

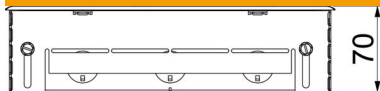
# Technical data sheet

## Underfloor box with GES9

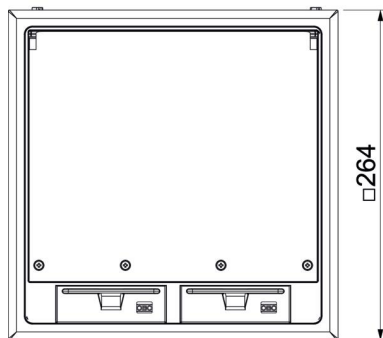
Item number: 7427479



### Dimensions



Length	264 mm
Width	264 mm



### Technical data

Number of installable devices	12
Number of mounting boxes	3
Cable outlet version	Swivellable cord outlet
Floor covering protection frame	yes
Floor care	Dry
Seal installation option	no
Screed height, max.	93 mm
Screed height, min.	65 mm
Suitable for raised floor installation	no
Suitable for screed-flush closed underfloor ducts	no
Suitable for screed-covered underfloor ducts	no
Suitable for cavity floor installation	no
Suitable for wet care	no
Suitable for underfloor ducts	no
Device support to accept mounting boxes	yes
Length of external dimensions	264 mm
With floor covering recess	yes
Nominal size for device installation units	9
Height-adjustment range, max.	100 mm
Height-adjustment range, min.	80 mm
Frame version	Carpet protection frame
Protection rating (IP) when used	IP20
Protection rating (IP) when unused	IP40
Protection rating IK code	IK08
Heavy-duty version	yes
Installation system type	UT4
Opening mechanism	Handle

# Technical data sheet

Underfloor box with GES9

Item number: 7427479



## Technical data

Floor covering thickness	10 mm
--------------------------	-------