

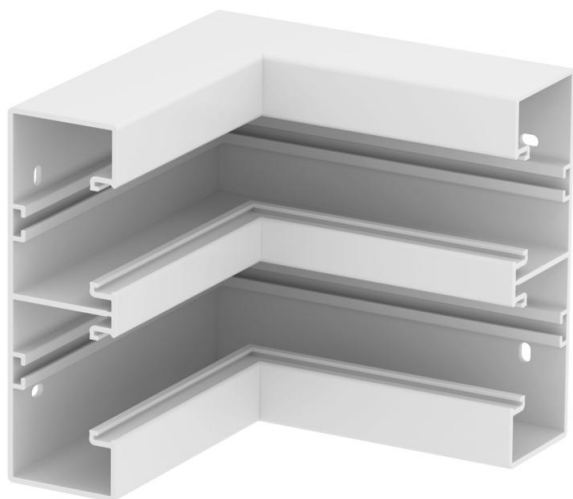
Technical data sheet

Internal corner, for Rapid 45-2 device installation trunking,
type GK-53165

Item number: 6113430



90° internal corner for changing the direction of the Rapid 45-2 device installation trunking.



PVC Polyvinylchloride

Master data

Item number	6113430
Type	GK-IS53165RW
Description 1	Internal corner
Description 2	rigid form
Manufacturer	OBO
Dimension	175x175x165
Colour	Pure white; RAL 9010
Material	Polyvinylchloride
Smallest sales unit	1
Unit of quantity	Piece
Weight	54.5 kg
Weight unit	kg/100 pc.

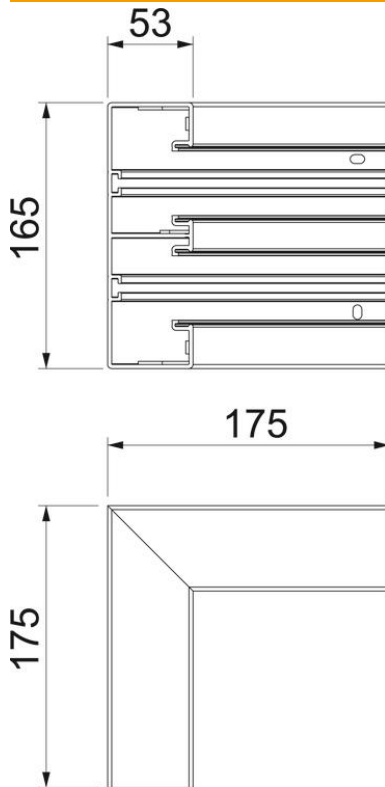
Technical data sheet

Internal corner, for Rapid 45-2 device installation trunking,
type GK-53165

Item number: 6113430



Dimensions



Length	175 mm
Width	165 mm
Height	53 mm

Technical data

Number of covers	2
Version for	Base
Shape	Symmetrical
Halogen-free	no
Cable retaining clip	no
Duct connector	no
Cover mounting type	Internal
Mounting perforation in base	yes
Cover width	45 mm
Cover width 2	45 mm
Cover width 3	0 mm
Protection rating	IP40
Protective film	yes
Protection rating IK code	IK08
Permitted temperature range, max.	60 °C
Permitted temperature range, min.	-15 °C
Angle range, max.	90 mm
Angle range, min.	90 mm

Technical data sheet

Internal corner, for Rapid 45-2 device installation trunking,
type GK-53165

Item number: 6113430

