

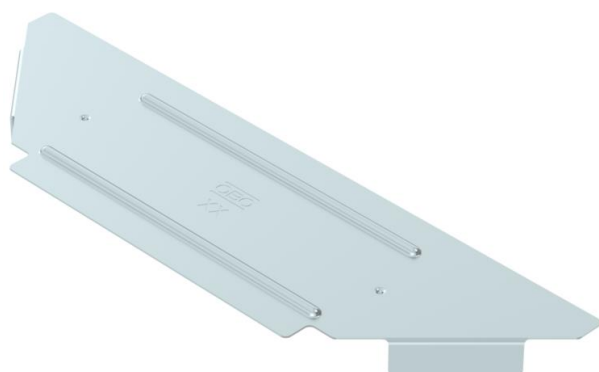
Technical data sheet

Cover for add-on tee FS

Item number: 6042403



Cover for add-on tee fitting for lockable and screw-on cable trays in indoor areas, to protect cables against damage and soiling. Fastening through attachment of the section cover. Suitable for all side heights.
The cover can be used with fittings of all side heights.



St Steel

FS Strip galvanized

Master data

| | |
|---------------------|------------------|
| Item number | 6042403 |
| Type | RAAD 150 FS |
| Description 1 | Cover |
| Description 2 | for add-on tee |
| Manufacturer | OBO |
| Dimension | B150mm |
| Material | Steel |
| Surface | Strip galvanized |
| Surface standard | DIN EN 10346 |
| Smallest sales unit | 1 |
| Unit of quantity | Piece |
| Weight | 9 kg |
| Weight unit | kg/100 pc. |

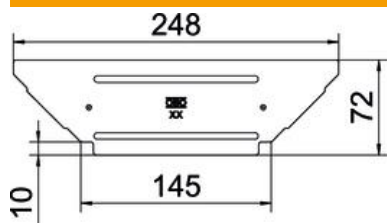
Technical data sheet

Cover for add-on tee FS

Item number: 6042403



Dimensions



| | |
|-----------------|---------|
| Width | 150 mm |
| Plate thickness | 0.75 mm |

Technical data

| | |
|-----------------------------------|---------|
| Number of turn buckles | 0 St. |
| Fastening type | On top |
| Suitable for cable ladder | no |
| Suitable for cable tray | yes |
| Material thickness | 0.75 mm |
| Rustproof steel, pickled | no |
| Permitted temperature range, max. | 120 °C |
| Permitted temperature range, min. | -20 °C |
| Wide-span version | no |