

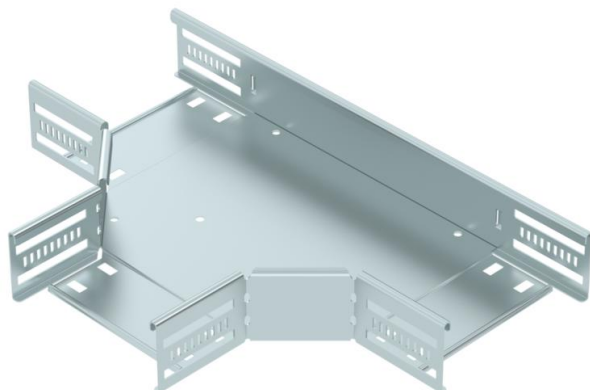
# Technical data sheet

## T piece 60 FS

Item number: 6038102



T piece for the creation of a horizontal branch, fitting for lock and screw-on cable trays of side height 60 mm. Screwless mounting with double clamps or screw connection with FRS truss-head screws and M6 combination nuts. Can be used in indoor areas. Fastening material must be ordered separately.



**St** Steel

**FS** Strip galvanized

### Master data

Item number	6038102
Type	RT 615 FS
Description 1	T piece
Description 2	for cable tray, horizontal
Manufacturer	OBO
Dimension	60x150
Material	Steel
Surface	Strip galvanized
Surface standard	DIN EN 10346
Smallest sales unit	1
Unit of quantity	Piece
Weight	99.8 kg
Weight unit	kg/100 pc.

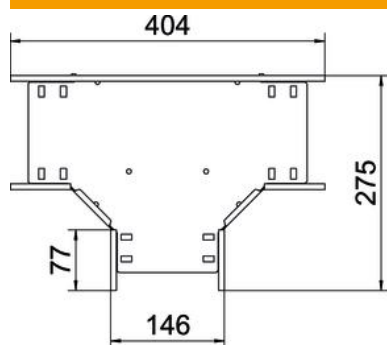
# Technical data sheet

T piece 60 FS

Item number: 6038102



## Dimensions



Width	150 mm
Height	60 mm
Dimension B	150 mm

## Technical data

Connector version	Integrated connector
Maintain electrical functions	yes
NATO hole pattern	no
Rustproof steel, pickled	no
Permitted temperature range, max.	120 °C
Permitted temperature range, min.	-20 °C
Wide-span version	no
Type of connector, cable support system	screwed/clamped
Recommended quantity of bolts	15 St.
Rail thickness	1.25 mm