

Technical data sheet

Support clamp, with drill hole

Item number: 1488551



Support clamp with drill hole for individual mounting solutions, e.g. to accept S hooks or chains. Fastening through knocking onto steel girders.



St Steel

ZL Zinc slat

Master data

Item number	1488551
Type	SKL 1,5-5
Description 1	Beam clamp
Manufacturer	OBO
Dimension	1,5-5mm
Colour	zinc
Material	Steel
Surface	Zinc slat
Surface standard	
Smallest sales unit	100
Unit of quantity	Piece
Weight	0.86 kg
Weight unit	kg/100 pc.

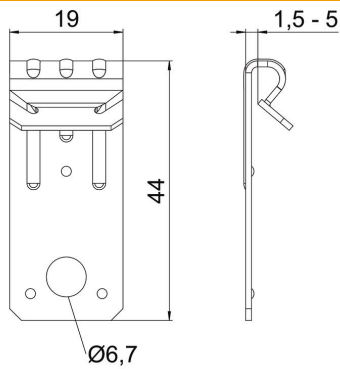
Technical data sheet

Support clamp, with drill hole

Item number: 1488551



Dimensions



Length	44 mm
Width	19 mm
Height	8 mm

Technical data

Connection type/component	Hole
Fastening type	Clamp
Breaking load	0.72 kN
Flange thickness F max.	5 mm
Flange thickness F min.	1.5 mm
Hinge, adjustable	no
Hinged	no