

Technical data sheet

Flat angle, trunking type WDK 100230

Item number: 6182314



Flat angle for changing the direction of the WDK trunking.



PVC Polyvinylchloride

Master data

Item number	6182314
Type	WDK F100230CW
Description 1	Flat angle
Manufacturer	OBO
Dimension	400x230x100
Colour	Cream; RAL 9001
Material	Polyvinylchloride
Smallest sales unit	1
Unit of quantity	Piece
Weight	188.5 kg
Weight unit	kg/100 pc.

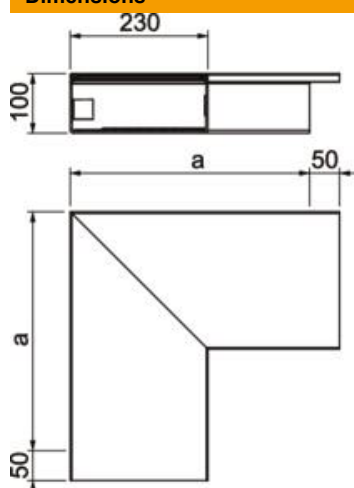
Technical data sheet

Flat angle, trunking type WDK 100230

Item number: 6182314



Dimensions



Length	400 mm
Width	230 mm
Height	100 mm
Dimension a	400 mm

Technical data

Version for	Base and cover
Fastening type	Base perforation
Maintain electrical functions	no
for duct dimension	100 x 230
Halogen-free	no
Trunking depth	100 mm
Protection rating	IP30
Protective film	no
Protection rating IK code	IK04
Permitted temperature range, max.	60 °C
Permitted temperature range, min.	-5 °C
Angle range, max.	90 mm
Angle range, min.	90 mm