

# Technical data sheet

## ISO base clip

Item number: 2130157



ISO base clip 15 mm



**PS** Polystyrene

### Master data

Item number	2130157
Type	2960 15 M6 LGR
Description 1	ISO base clip
Manufacturer	OBO
Dimension	15mm
Colour	Light grey; RAL 7035
Material	Polystyrene
Smallest sales unit	50
Unit of quantity	Units
Weight	0,51 kg
Weight unit	kg/100 pairs
CO2 Footprint (GWP) Cradle-to-Gate	0,0219 kg CO2e / 1 Piece

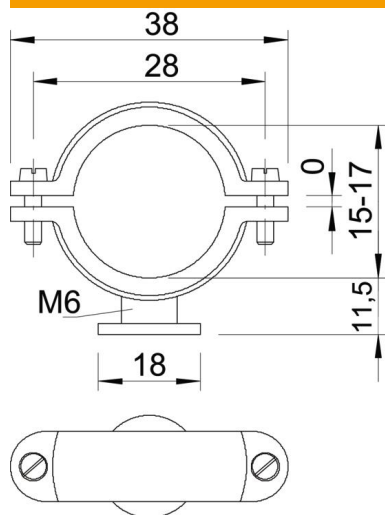
# Technical data sheet

## ISO base clip

Item number: 2130157



### Dimensions



Dimension A	38 mm
Dimension B	28 mm
Dimension d	18 mm
Dimension d max.	17 mm
Dimension d min.	15 mm
Dimension H	11,5 mm
Dimension x	0 mm

### Technical specifications

Number of cables/pipes	1
Version for	Closed
Fastening type	Screw hole
Suitable in fire protection area	no
Thread	M6
Size	Pg 9
Halogen-free	yes
Plastic-covered	no
Bolt	M5 x 14
Clamping range D, max.	17 mm
Clamping range D, min.	15 mm
UV-resistant	no