

# Technical data sheet

## ISO nail clip 2006

Item no. 2227460



ISO nail clip, short design

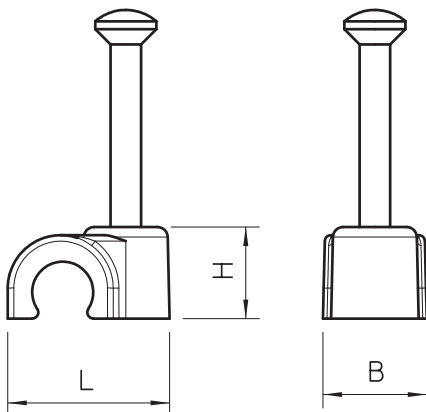


PP Polypropylene

### Master data

Item no.	2227460
Type	2006 25 LGR SP
Description 1	ISO nail clip
Description 2	large packaging
Dimension	6mm, L25
Colour	Light grey
RAL number	7035
Material	Polypropylene
Material symbol	PP
Smallest sales unit (VG)	200 Piece
Weight	0,09 kg/100 pc.

### Technical data



Dimension B	8,00 mm
Dimension H	8,10 mm
Dimension L	12,50 mm
For cable diameter	6,00 mm
For nail diameter	2,0x25 mm
Double clip	<input type="checkbox"/>
Hardened	<input checked="" type="checkbox"/>
Halogen-free	<input checked="" type="checkbox"/>
With nail	<input checked="" type="checkbox"/>
Nail length	25,00 mm
Impact-resistant	<input type="checkbox"/>