

Technical data sheet

Device/connection box - UG 60 204

Item no. 2004320



Device/connection socket with increased socket volume on both sides of the device installation opening to accept connection terminals. Torsion-resistant guaranteed standard combination spacing of 71 mm (to DIN 49 073-1) through snap-lock coupling. 8 Break-out openings for cables and pipes to \varnothing 21 mm low-lying plaster brackets, device bolt spacing 60 mm, for screw fastening with 3.2 mm self-tapping screws, with 4 screw bosses and 2 device screws, protection rating IP20.

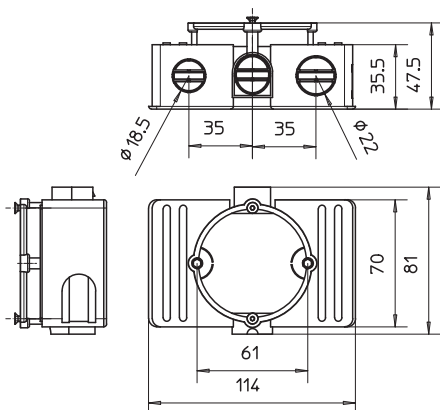


PS Polystyrene

Master data

| | |
|--------------------------|--------------------------------|
| Item no. | 2004320 |
| Type | UG 60 204 |
| Description 1 | Device/connection box |
| Description 2 | concealed, with square support |
| Dimension | 60x107x40mm |
| Colour | Black |
| Material | Polystyrene |
| Material symbol | PS |
| Smallest sales unit (VG) | 10 Piece |
| Weight | 3,05 kg/100 pc. |

Technical data



| | |
|-----------------------------|--|
| Width | 60,00 mm |
| Height | 40,00 mm |
| Length | 107,00 mm |
| interior \varnothing | 60 mm |
| \varnothing | 60 Max. |
| Diameter | 60,00 mm |
| No. of entries | 8 |
| Entries | 8 |
| Number of switch boxes | 1 |
| Type of entry | Break-out openings for cables and pipes to \varnothing 21 mm |
| Type of housing penetration | Pre-marking |
| Version for | Single |
| Shape | Electrics socket |
| Device fixing | Screws , |
| Equipment | Without |
| Cover | Without |
| Cover fastening | Not applicable |
| Entry from rear | <input type="checkbox"/> |
| Flame-resistant | acc. to VDE 0471/DIN 695 Part 2-1, test temperature 650°C |
| Shape | Rectangular |
| For pipe diameter | Other |
| Function maintenance (ETIM) | Without |
| Floor height | 50 mm |

Technical data sheet

Device/connection box - UG 60 204

Item no. 2004320



Technical data

| | |
|---------------------------|-------------------------------------|
| Accessory screw clearance | 60,00 mm |
| Halogen-free | <input checked="" type="checkbox"/> |
| With screening | <input type="checkbox"/> |
| With nail strap | <input type="checkbox"/> |
| With bolts | <input checked="" type="checkbox"/> |
| Mounting type | Concealed |
| Nominal cross section | 1,50 - 2,50 mm ² |
| Rated voltage | 400,00 V |
| Sealable | <input type="checkbox"/> |
| Impact-resistant | <input checked="" type="checkbox"/> |
| Protection rating | IP20 |
| Support | Tunnel support |
| Airtight | <input type="checkbox"/> |