

Technical data sheet

Device/connection socket - UG 60 255

Item no. 2004352



The ideal system for use in any kind of masonry. The products were developed according to the state of the art and are perfectly matched. They can fulfil any practical requirements, thus allowing perfect installations in record time.

The system comprises a comprehensive range of accessories and can be used for any application.

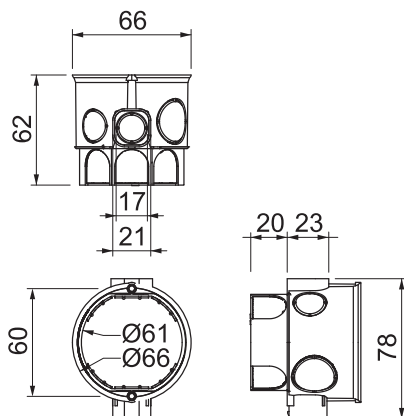


PS Polystyrene

Master data

Item no.	2004352
Type	UG 60 255
Description 1	Device/connection plug
Description 2	concealed, with square support
Dimension	Ø60mm, H62mm
Colour	Black
Material	Polystyrene
Material symbol	PS
Smallest sales unit (VG)	25 Piece
Weight	1,79 kg/100 pc.

Technical data



Height	60,00 mm
Ø	60 Max.
No. of entries	7
Entries	7
Type of entry	Break-out openings for cables and pipes Ø 20 mm and Ø 25 mm
Version for	Single
Shape	Device connection socket/box
Device fixing	Screw or spread
Equipment	Without
Cover	Without
Flame-resistant	acc. to VDE 0471/DIN 695 Part 2-1, test temperature 650°C
Shape	Round
Floor height	64 mm
Accessory screw clearance	60,00 mm
With bolts	<input type="checkbox"/>
Mounting type	Concealed
Nominal cross section	1,50 - 2,50 mm ²
Rated voltage	400,00 V
Sealable	<input type="checkbox"/>
Protection rating	IP20
Support	Square support